

# NEWTEC WEIGHING MACHINE 1100

AVAILABLE  
IN RIGIDISED  
STAINLESS STEEL

OPTION



## Compact and low cost weighing machine

### Advantages

- Robustly constructed in stainless steel for durability
- Gentle product handling with low drops
- Pack weight programming in seconds
- Fully automatic infeed control
- Automatic taring of weigh head
- Low cost of ownership
- Premium reliability
- Operator friendly technology

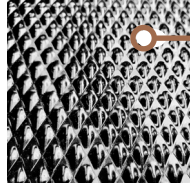
### Application

Washed vegetables and fruits such as:

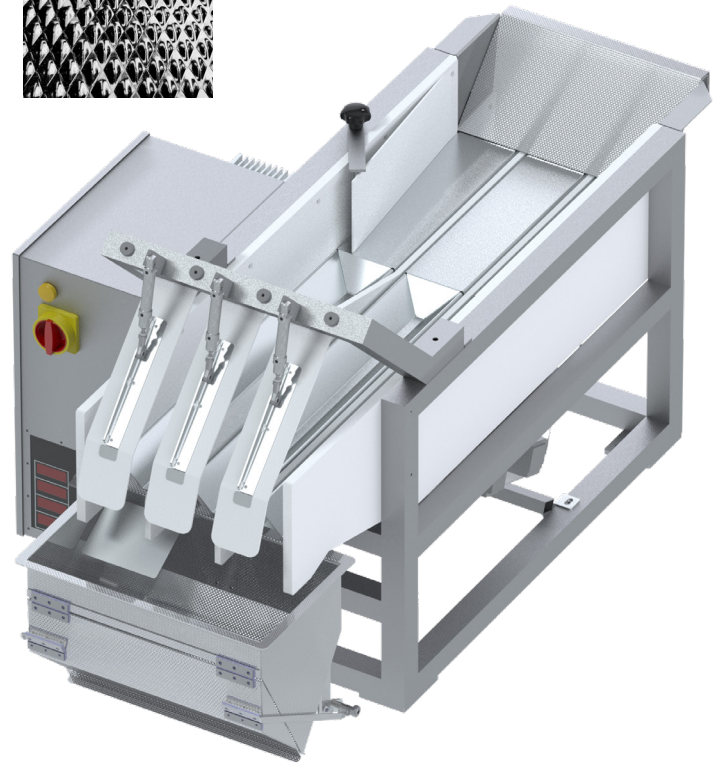
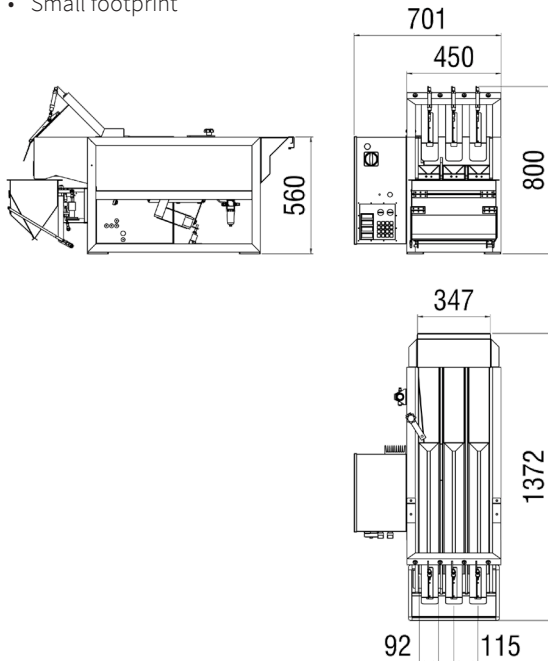
- Potatoes • Citrus • Onions
- Similar fruits and vegetables (e.g. brussel sprouts, kiwi, nuts)

## YOUR ADVANTAGES

- Easy access for cleaning and service
- Operator friendly technology
- Small footprint



Rigidised stainless steel, model 1100R



PORTIONS / MIN. UP TO:	1 kg.	2 kg.	3 kg.	4 kg.
Potatoes	18	16	14	10
Citrus	18	16	14	10
Onions	16	14	12	8

## SINGLE HEAD WEIGHING MACHINE

**Speed / Capacity** 10 - 15 portions / min. at 2 kg.

**Portion sizes** 0.5 - 5 kg.  
(depending on product)

**Weigh head volume** 15 L.

**Weigh head width** 400 mm.

**Material** According to the EU/FDA rules on food contact materials

### Air requirement

**Connection** 3/8"  
**Min. pressure** 7 bar (0.7 Mpa)  
**Consumption** 65 NL/min.

**Electrical requirement** 220/400 VAC +(N)+PE

**Environment** 5°C - 40 °C

**Weight** 113 kg.  
(weigher only)

